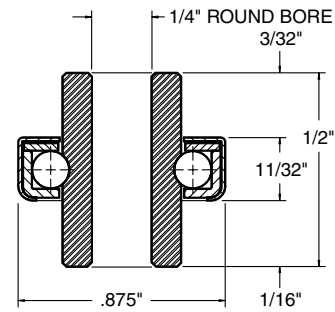


WHEELS

BODY DIAMETER = .875 IN.

Description:

- Non-precision wheel
- 45 lb. per bearing load rating
- Eight 5/32 in. dia. hardened steel balls
- Pressed steel outer shell

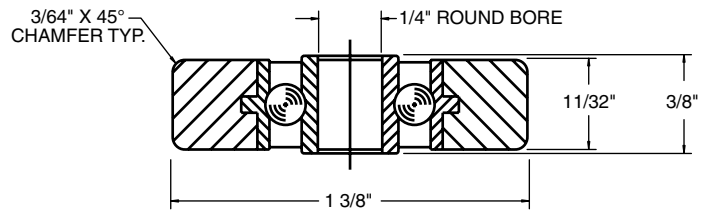


Part No. 102149

BODY DIAMETER = 1.375 IN.

Description:

- Precision ground bearing
- 75 lb. per bearing load rating
- Six 5/32 in. dia. hardened steel balls
- Molded nylon outer shell

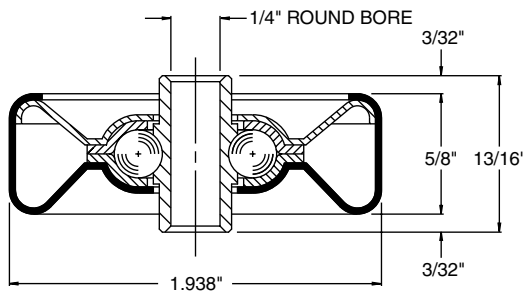


Part No. 113062

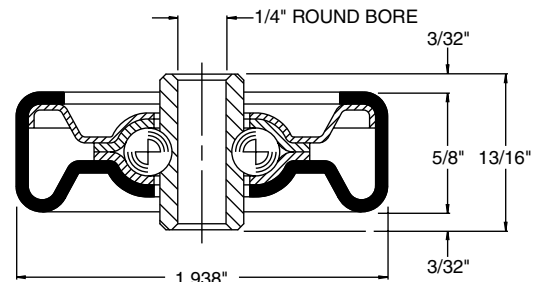
BODY DIAMETER = 1.938 IN.

Description:

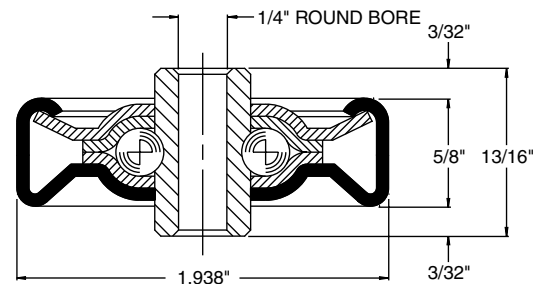
- Non-precision wheel
- Seven 1/4 in. dia. hardened steel balls
- Pressed steel outer shell
- Rubber and neoprene boots available
- Skatewheels available with black or white plastic



Part No. 102143
Galvanized Wheel
50 lb. Per Wheel Load Capacity



Part No. 102144
Aluminum Wheel
55 lb. Per Wheel Load Capacity

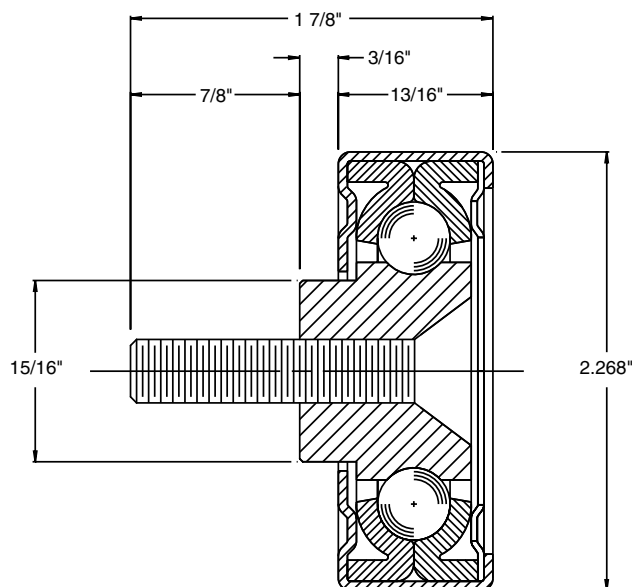


Part No. 102226
Galvanized Wheel
150 lb. Per Wheel Load Capacity

BODY DIAMETER = 2.268 IN.

Description:

- Non-precision wheel
- 3/8-16 threaded stud
- 290 lb. per bearing load rating
- Eleven 3/8 in. dia. hardened steel balls
- Pressed steel outer shell



Part No. 102150