



# TURNTABLES

## SECTION CONTENT

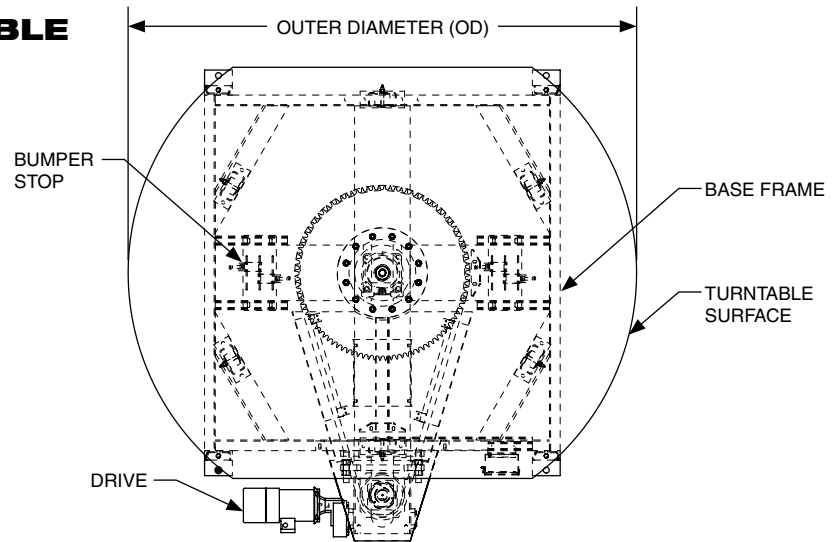
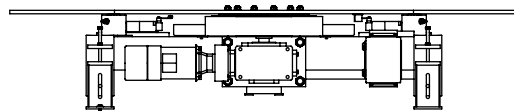
Power Turntable  
Manual Turntable  
Low Profile Manual Turntable  
Optional Equipment and Devices



## WHY TT?

- Provide directional change without changing product orientation
- Manual or Powered Turntables rotate to the desired angle required for your application
- One of the lowest heights in the industry
- Easily equipped with a conveyor deck
- Transition roller packages allow smooth transitions between conveyor and turntable
- Adjacent conveyor can be modified to accept to nest turntable
- Common applications include palletizing, filling, load staging, robotic cells, stretch wrapping, strapping and transportation

# PTT POWER TURNTABLE



CAPACITY (lbs.)	OUTER DIAMETER MAXIMUM (in.)	TOP PLATE THICKNESS (in.)	MINIMUM TOP OF TABLE		SUPPORT BEARING Style	DRIVE CHAIN Size	HORSEPOWER HP	STANDARD SPEED AT OUTER DIAMETER FPM
			Drive Under (in.)	Drive External (in.)				
1000	60	3/8	12	7 1/2	Yoke Roller	RC50	1/3	30
3500	84	1/2	14	8 1/4	Heavy Duty Yoke Roller	RC60	1/2	30
5000	102	5/8	16	10 3/4	Heavy Duty Yoke Roller	RC80	3/4	30
7500	120	3/4	16 1/4	11 1/2	Heavy Duty Yoke Roller	RC80	1	30
7500	120	1	14 1/2	12 3/4	Rotary Bearing	RC80	3/4	30
10000	120	1 1/2	20	18	Rotary Bearing	RC100	1	20

Additional capacities and sizes are available  
Lower table heights may be available

## STANDARD SPECIFICATIONS

**STANDARD DIAMETER** - Up to 120"

**BASE FRAME** - Structural channel or tube provides rigid support for table top

**TOP PLATE** - Rigid, flat sheet top plate provides clean work surface. Turntables can be equipped with a conveyor deck per customer specifications.

**CONSTRUCTION** - Welded frames, spreaders

**ROTATION** - Standard table rotations of 90°, 180°, 270° and 360°. Other rotations are available upon request.

**BRAKE MOTOR** - 1/2 HP through 5 HP, 1750 RPM, C-face, 208-230-460V/3PH/60Hz, TEFC

**REDUCER** - Sealed, worm gear, C-face

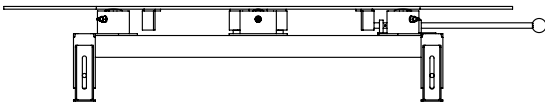
**TORQUE LIMITERS** - Torque limiters protect machinery from damage due to unexpected overload conditions. Driven center member slips on nonasbestos friction discs during extraordinary loads on the driveline. Torque limiters automatically reset when the overload condition is relieved.

**STOPS** - Adjustable rubber bumper stops where applicable on powered units allow positioning of table top and absorb shock upon stopping

**SUPPORTS** - Structural steel, integrated into the turntable base, adjustable jackbolt feet

**FINISHES** - Powder coat finish standard. Wet spray available.

**Expanded product parameters available. For more information see Tech Handbook.**



CAPACITY (lbs.)	OUTER DIAMETER MAXIMUM (in.)	TOP PLATE THICKNESS (in.)	MINIMUM TOP OF TABLE (in.)	SUPPORT BEARING Style
1000	60	3/8	7	Yoke Roller
3500	84	1/2	8	Heavy Duty Yoke Roller
5000	102	5/8	10 1/4	Heavy Duty Yoke Roller
7500	120	1	10 3/4	Rotary Bearing

Additional capacities and sizes are available  
Lower table heights may be available

## STANDARD SPECIFICATIONS

**STANDARD DIAMETER** - Up to 120"

**BASE FRAME** - Structural channel or tube provides rigid support for table top

**TOP PLATE** - Rigid, flat sheet top plate provides clean work surface. Turntables can be equipped with a conveyor deck per customer specifications.

**CONSTRUCTION** - Welded frames, spreaders

**ROTATION** - Standard table rotations of 90°, 180°, 270° and 360°. Other rotations are available upon request. Rotational force will vary depending on product load and size. The force to rotate can exceed 50 lbs.

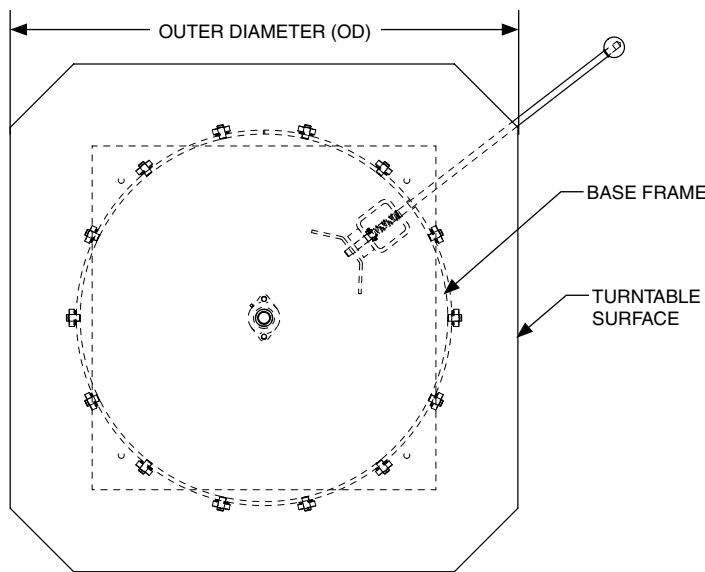
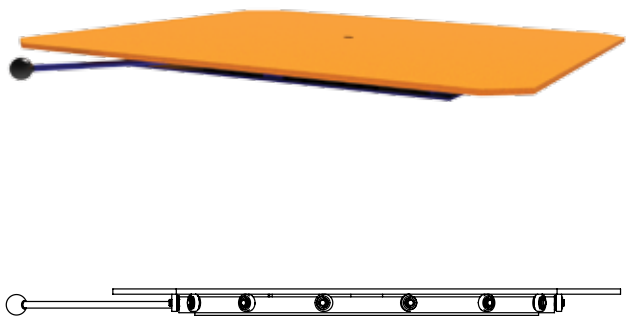
**Expanded product parameters available. For more information see Tech Handbook.**

**DETENTS** - Manually operated or spring loaded detents orient table top at 90° increments on all manually operated units. Special increments are available. Manually operated detents can be actuated by hand or foot.

**SUPPORTS** - Structural steel, integrated into the turntable base, adjustable boot

**FINISHES** - Powder coat finish standard. Wet spray available.

# LPMT **LOW PROFILE MANUAL TURNTABLE**



CAPACITY	DECK SIZE	TOP PLATE THICKNESS	MINIMUM TOP OF TABLE	SUPPORT BEARING
(lbs.)	(in.)	(in.)	(in.)	Style
4000	36 x 36	1/2	2 1/2	Semi-Precision Bearing
4000	48 x 48	1/2	2 1/2	Semi-Precision Bearing
4000	60 x 60	1/2	2 1/2	Semi-Precision Bearing

Additional capacities and sizes are available  
 Lower table heights may be available

## STANDARD SPECIFICATIONS

**STANDARD DIAMETER** - Up to 120"

**BASE FRAME** - Structural channel or tube provides rigid support for table top

**TOP PLATE** - Rigid, flat sheet top plate provides clean work surface. Turntables can be equipped with a conveyor deck per customer specifications.

**CONSTRUCTION** - Welded frames, spreaders

**Expanded product parameters available. For more information see Tech Handbook.**

**ROTATION** - Standard table rotations of 90°, 180°, 270° and 360°. Other rotations are available upon request. Rotational force will vary depending on product load and size. The force to rotate can exceed 50 lbs.

**FINISHES** - Powder coat finish standard. Wet spray available.

## OPTIONAL EQUIPMENT AND DEVICES

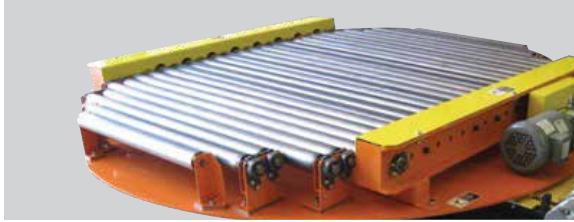
**TRANSITION ROLLERS** - Standard on units that incorporate a conveyor deck. Attached to the rotating part of the turntable, used to assist in supporting products during the transition from adjoining conveyor to the turntable. Powered transition rollers are also available to aid problem products. Fixed transition rollers can also be mounted to adjoining conveyor.

### Gravity Rollers

### Power Rollers



GRAVITY ROLLERS



POWER ROLLERS  
TRANSITION ROLLERS

### DETENTS

- Spring/non-locking
- Locking Style
  - Hand release
  - Foot release
- Custom options available
  - Pneumatic
  - Magnetic



DETENTS

**MOTOR OPTIONS** - Premium efficiency, single phase, 575V, DC, inverter duty, explosion proof, air, hydraulic, special brands

**PNEUMATIC CYLINDER OPERATED** - Maximum 90° rotation

**INTEGRATED SENSORS** - Limit switches or proximity sensors are mounted within the equipment and wired to a junction box for easy access and installation. Sensors are used to determine position of table top and acceleration or deceleration timing. If solenoid valve is required it is mounted and wired.

**SLIP RINGS** - Route power through center of table to rotating deck of turntable. A slip ring may affect the minimum height of table.

**ROTARY UNION** - Route air or hydraulic oil to rotating deck of turntable. Rotary unions may affect the minimum height of table. 250 PSI maximum.

**STAINLESS STEEL** - Turntables are available in stainless steel materials for washdown applications or harsh environments